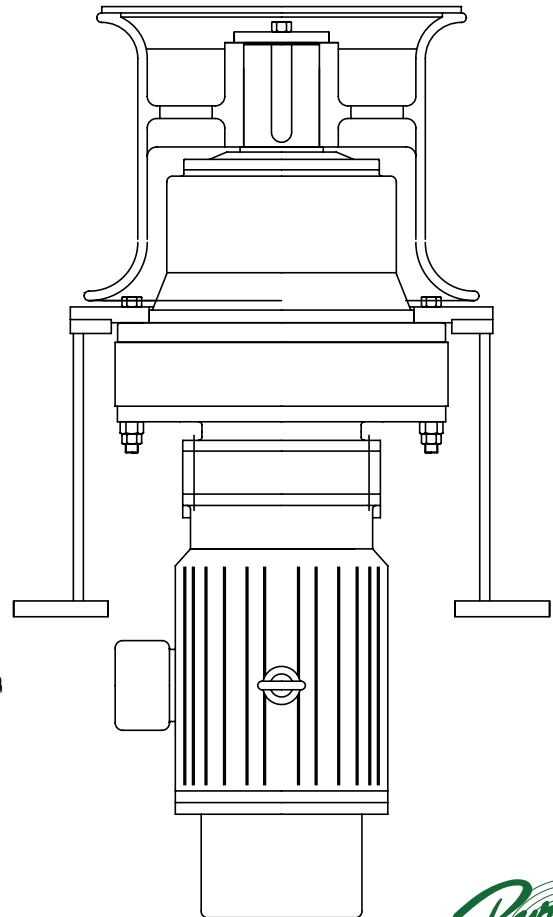
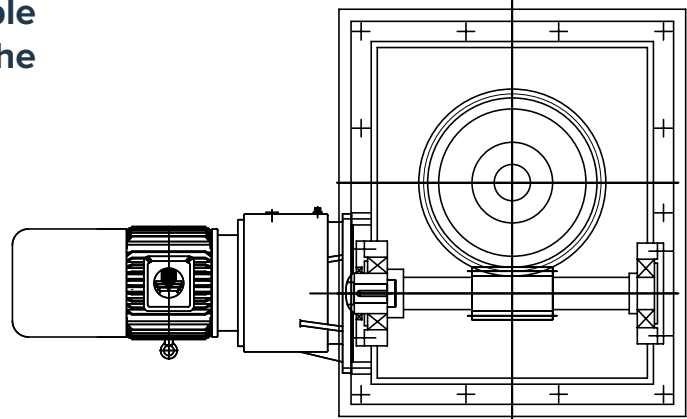


CAPSTANS

NABRICO provides a variety of capstan options to meet your specific requirements. Whether your needs require a thru-deck, above deck, electric or hydraulic capstan, our engineers and sales people will provide a capstan to meet the demands of your applications.

CAPSTANS

HI-CAP	84
CAPSTAN WINCH	88
ELECTRIC / HYDRAULIC	90



HI-CAP CAPSTAN



- Class defining 80,000 pounds of bollard pull.
- Straightforward simple design.
- High tensile alloy shaft.
- Oversized bearing surfaces.
- Blasted near-white with a 3-part marine grade epoxy paint.
- Design your own to meet your specifications.
- Ductile iron high strength gearbox.
- Gearbox has extraordinarily high shock load and efficiency.
- Big performance at a low cost.

MODEL No.	PART No.	SIZE	LINE PULL (RUNNING)	LINE PULL (STARTING)	LINE SPEED	MOTOR POWER	BOLLARD CAPACITY
DF-HC-12-3-50-E	197107	C12	3,200 LBS	6,400 LBS	50 FT/MIN	5.0 HP	80,000 LBS
DF-HC-12-7-33-E	197505	D12	7,000 LBS	14,000 LBS	33 FT/MIN	7.5 HP	80,000 LBS
DF-HC-12-11-29-3	197502	E12	10,900 LBS	21,800 LBS	29 FT/MIN	10 HP	80,000 LBS
DF-HE-18-13-35-E	197507	F18	13,450 LBS	26,900 LBS	35 FT/MIN	15 HP	80,000 LBS

“I’ve always found that anything worth achieving will always have obstacles in the way and you’ve got to have that drive and determination to overcome those obstacles on route to whatever it is that you want to accomplish.”

—Chuck Norris



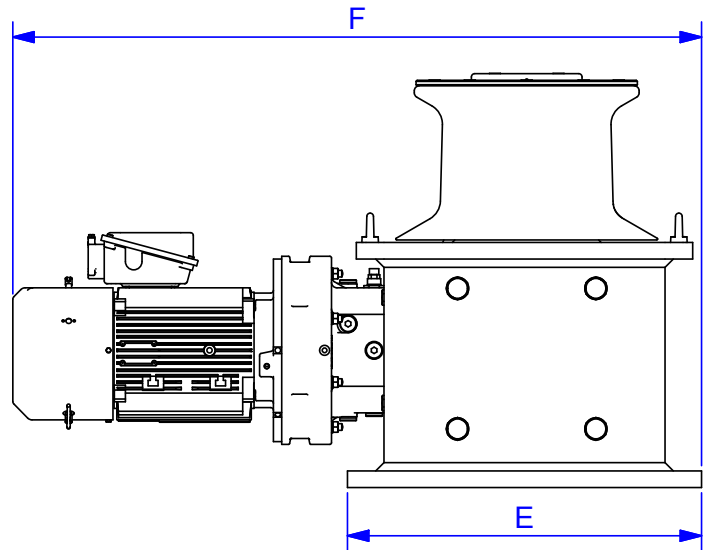
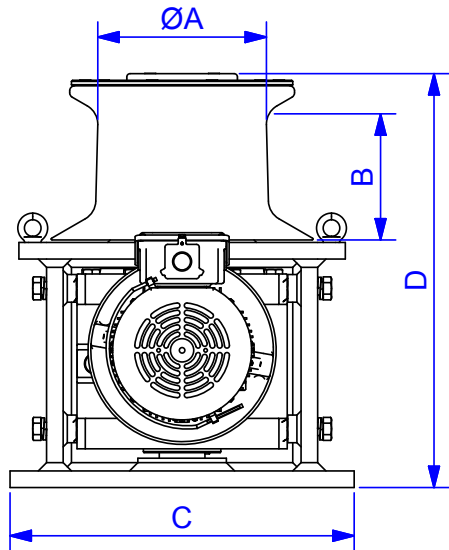
brtmarine.com 800-725-3787

PROUD DISTRIBUTOR OF 
NABRICO

The specifications and details described by drawings or text in this literature are subject to change without notice.

HI-CAP CAPSTAN

BR



CAPSTANS

MODEL No.	PART No.	ØA	B	C	D	E	F	WT. (lbs.)
DF-HC-12-3-50-E	197107	12"	9"	22-1/2"	27-9/32"	21-3/4"	40-7/16"	1,240
DF-HC-12-5-50-E	197505	12"	9"	24-1/2"	29-7/16"	25-3/16"	47-13/32"	1,800
DF-HC-12-11-29-E	197502	12"	9"	29-1/8"	31-5/8"	30-1/8"	52-7/16"	3,100
DF-HC-18-13-35-E	197507	18"	15"	31-1/8"	39-1/4"	32-3/8"	58-9/16"	4,100

“America is the only country ever founded on an idea. The only country that is not founded on race or even common history. It’s founded on an idea and the idea is liberty. That is probably the rarest phenomena in the political history of the world; this has never happened before. And not only has it happened, but it’s worked. We are the most flourishing, the most powerful, most influential country on Earth with this system, invented by the greatest political geniuses probably in human history.”

—Charles Krauthammer

PROUD DISTRIBUTOR OF 
NABRICO

brtmarine.com 800-725-3787



The specifications and details described by drawings or text in this literature are subject to change without notice.

HI-CAP LINE PULL AND SPEED OPTIONS

CAPSTANS

MODEL	HEAD DIAMETER (IN)	MOTOR SIZE (HP)	GEARBOX RPM	RUNNING LINE PULL (LBS)	STARTING LINE PULL (LBS)	RUNNING LINE SPEED (FPM)	RATIO	BOX SIZE
DF-HC-12-2-58-E	12	3	17.16	1,611	3,221	58.39	102	C140
DF-HC-12-2-53-E	12	3	15.63	1,769	3,537	53.18	112	C140
DF-HC-12-2-48-E	12	3	14.23	1,942	3,884	48.42	123	C140
DF-HC-12-2-39-E	12	3	11.59	2,384	4,769	39.44	151	C140
DF-HC-12-3-33-E	12	3	9.78	2,827	5,653	33.27	179	C140
DF-HC-12-3-29-E	12	3	8.45	3,269	6,537	28.77	207	C145
DF-HC-12-4-24-E	12	3	7.0	3,932	7,864	23.92	249	C160
DF-HC-12-5-20-E	12	3	5.7	4,816	9,632	19.53	305	D160
DF-HC-12-3-58-E	12	5	17.2	2,684	5,369	58.39	102	C140
DF-HC-12-3-53-E	12	5	15.6	2,948	5,895	53.18	112	C140
DF-HC-12-3-48-E	12	5	14.2	3,237	6,474	48.42	123	C140
DF-HC-12-4-39-E	12	5	11.6	3,974	7,948	39.44	151	C145
DF-HC-12-5-33-E	12	5	9.8	4,711	9,422	33.27	179	D160
DF-HC-12-5-29-E	12	5	8.5	5,448	10,896	28.77	207	D165
DF-HC-12-7-24-E	12	5	7.0	6,553	13,106	23.92	249	D165
DF-HC-12-8-20-E	12	5	5.7	8,027	16,054	19.53	305	D180
DF-HC-12-4-58-E	12	7.5	17.2	4,027	8,053	58.39	102	C160
DF-HC-12-6-39-E	12	7.5	11.6	5,961	11,922	39.44	151	D160
DF-HC-12-7-33-E	12	7.5	9.8	7,066	14,133	33.27	179	D170
DF-HC-12-8-29-E	12	7.5	8.5	8,172	16,343	28.77	207	D180
DF-HC-12-5-58-E	12	10	17.2	5,369	10,738	58.39	102	D160
DF-HC-12-6-53-E	12	10	15.6	5,895	11,790	53.18	112	D165
DF-HC-12-6-48-E	12	10	14.2	6,474	12,948	48.42	123	D165
DF-HC-12-8-39-E	12	10	11.6	7,948	15,896	39.44	151	D180
DF-HC-12-8-58-E	12	15	17.2	8,053	16,106	58.39	102	D180
DF-HC-12-9-53-E	12	15	15.6	8,843	17,686	53.18	112	D180
DF-HC-15-2-60-E	15	3	14.23	1,578	3,156	59.60	123	C140
DF-HC-15-2-49-E	15	3	11.59	1,937	3,875	48.55	151	C140
DF-HC-15-2-41-E	15	3	9.78	2,297	4,593	40.95	179	C140
DF-HC-15-3-35-E	15	3	8.45	2,656	5,312	35.41	207	C145
DF-HC-15-3-29-E	15	3	7.0	3,195	6,389	29.44	249	C160
DF-HC-15-4-24-E	15	3	5.7	3,913	7,826	24.03	305	D160
DF-HC-15-3-60-E	15	5	14.2	2,630	5,260	59.60	123	C140
DF-HC-15-3-49-E	15	5	11.6	3,229	6,458	48.55	151	C145
DF-HC-15-4-41-E	15	5	9.8	3,828	7,655	40.95	179	D160
DF-HC-15-4-35-E	15	5	8.5	4,426	8,853	35.41	207	D165

■ - INDICATES STANDARD MODEL



brtmarine.com 800-725-3787

PROUD DISTRIBUTOR OF 
NABRICO

The specifications and details described by drawings or text in this literature are subject to change without notice.

MODEL	HEAD DIAMETER (IN)	MOTOR SIZE (HP)	GEARBOX RPM	RUNNING LINE PULL (LBS)	STARTING LINE PULL (LBS)	RUNNING LINE SPEED (FPM)	RATIO	BOX SIZE
DF-HC-15-5-29-E	15	5	7.0	5,324	10,649	29.44	249	D165
DF-HC-15-7-24-E	15	5	5.7	6,522	13,044	24.03	305	D180
DF-HC-15-5-49-E	15	7.5	11.6	4,843	9,687	48.55	151	D165
DF-HC-15-6-41-E	15	7.5	9.8	5,741	11,483	40.95	179	D170
DF-HC-15-7-35-E	15	7.5	8.5	6,639	13,279	35.41	207	D180
DF-HC-15-8-29-E	15	7.5	7.0	7,987	15,973	29.44	249	E180
DF-HC-15-10-24-E	15	7.5	5.7	9,783	19,566	24.03	305	F185
DF-HC-15-4-72-E	15	10	17.2	4,362	8,724	71.87	102	D160
DF-HC-15-5-65-E	15	10	15.6	4,790	9,580	65.45	112	D165
DF-HC-15-5-60-E	15	10	14.2	5,260	10,521	59.60	123	D165
DF-HC-15-6-49-E	15	10	11.6	6,458	12,915	48.55	151	D180
DF-HC-15-8-41-E	15	10	9.8	7,655	15,310	40.95	179	E175
DF-HC-15-9-35-E	15	10	8.5	8,853	17,705	35.41	207	E185
DF-HC-15-11-29-E	15	10	7.0	10,649	21,298	29.44	249	F190
DF-HC-15-13-24-E	15	10	5.7	13,044	26,087	24.03	305	F190
DF-HC-15-8-60-E	15	15	14.2	7,890	15,781	59.60	123	E180
DF-HC-15-10-49-E	15	15	11.6	9,687	19,373	48.55	151	F185
DF-HC-15-11-41-E	15	15	9.8	11,483	22,965	40.95	179	F190
DF-HC-15-13-35-E	15	15	8.5	13,279	26,558	35.41	207	F195
DF-HC-15-16-29-E	15	15	7.0	15,973	31,946	29.44	249	F195
DF-HC-15-11-60-E	15	20	14.2	10,521	21,041	59.60	123	F185
DF-HC-15-13-49-E	15	20	11.6	12,915	25,831	48.55	151	F195
DF-HC-15-15-41-E	15	20	9.8	15,310	30,621	40.95	179	F195
DF-HC-18-7-35-E	18	7.5	7.0	6,726	13,451	34.96	249	E180
DF-HC-18-8-29-E	18	7.5	5.7	8,238	16,476	28.54	305	F185
DF-HC-18-6-49-E	18	10	9.8	6,446	12,893	48.63	179	E175
DF-HC-18-7-42-E	18	10	8.5	7,455	14,910	42.05	207	E185
DF-HC-18-9-35-E	18	10	7.0	8,967	17,935	34.96	249	F190
DF-HC-18-11-29-E	18	10	5.7	10,984	21,968	28.54	305	F190
DF-HC-18-8-58-E	18	15	11.6	8,157	16,314	57.65	151	F185
DF-HC-18-10-49-E	18	15	9.8	9,670	19,339	48.63	179	F190
DF-HC-18-11-42-E	18	15	8.5	11,182	22,365	42.05	207	F195
DF-HC-18-13-35-E	18	15	7.0	13,451	26,902	34.96	249	F195
DF-HC-18-11-58-E	18	20	11.6	10,876	21,752	57.65	151	F195
DF-HC-18-13-49-E	18	20	9.8	12,893	25,786	48.63	179	F195

■ - INDICATES STANDARD MODEL

PROUD DISTRIBUTOR OF  **NABRICO**

brtmarine.com 800-725-3787



The specifications and details described by drawings or text in this literature are subject to change without notice.

CAPSTAN WINCH



FEATURES

- High strength ductile iron gear case.
- Simple, durable, space saving design.
- For use in the harshest working conditions.
- For use in marine, rail and other material movement applications.
- Electric or hydraulic designs.
- Available with or without rope guard in picture above.
- Cyclo or planetary input provides a high overload capacity and exceptional reliability.
- 4 Bolt mounting structure.
- Electric or hydraulic designs.
- Available with or without rope guard in picture above.
- Cyclo or planetary input provides a high overload capacity and exceptional reliability.
- 4 Bolt mounting structure.

MODEL No.	PART No.	SIZE	LINE PULL (RUNNING)	LINE PULL (STARTING)	LINE SPEED	MOTOR POWER	BOLLARD CAPACITY
DF-FC-9-2.8-58-E	197602	C9	2,800 LBS	5,600 LBS	58 FT/ MIN	5.0 HP	7,000 LBS

“A lot of people give up just before they’re about to make it. You know you never know when that next obstacle is going to be the last one.”

—Chuck Norris



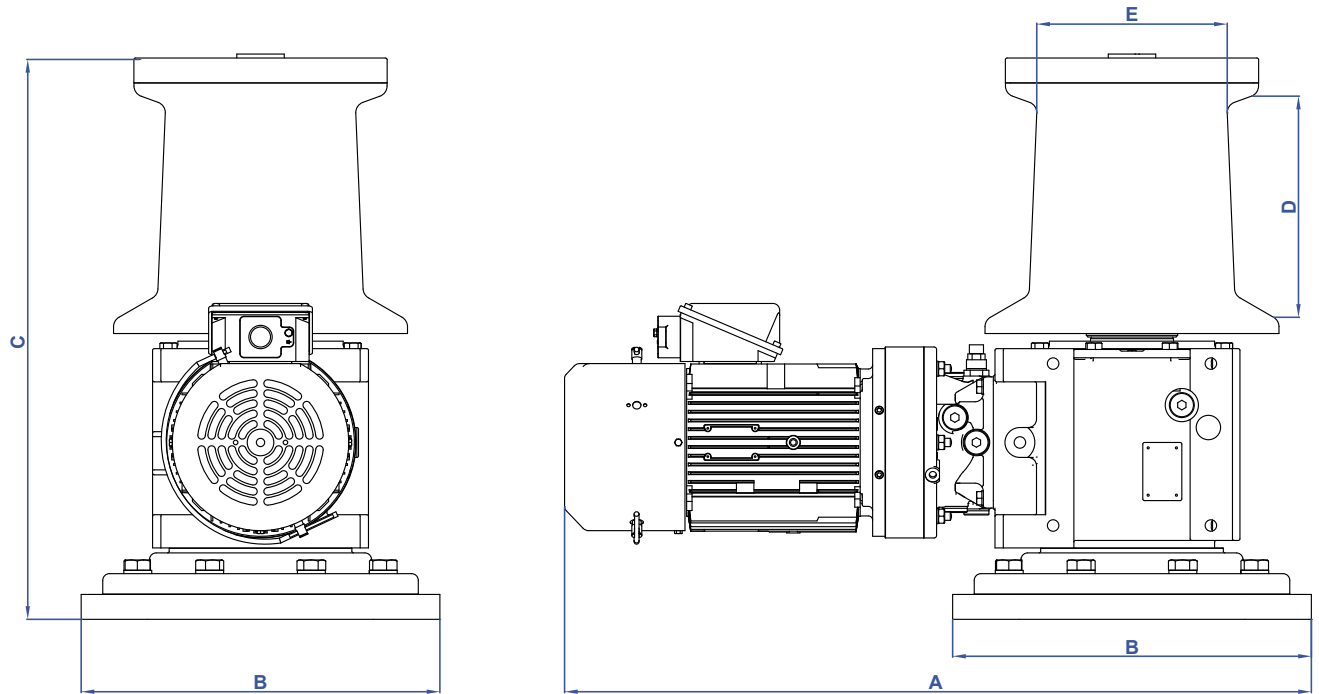
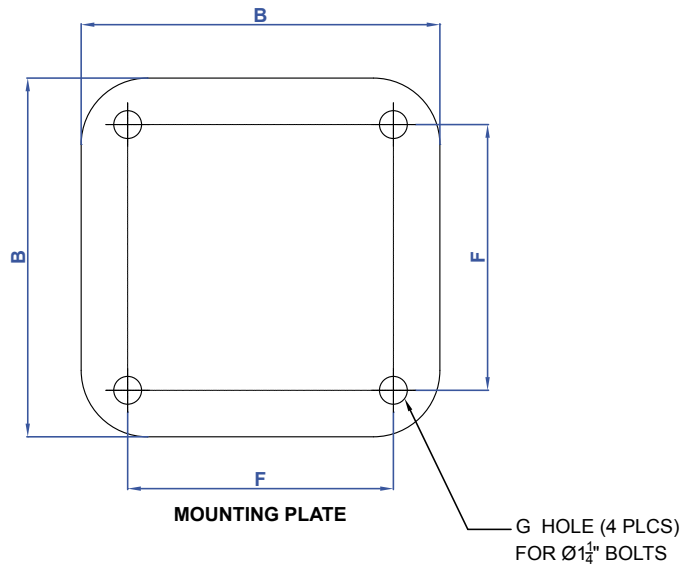
brtmarine.com 800-725-3787

PROUD DISTRIBUTOR OF 
NABRICO

The specifications and details described by drawings or text in this literature are subject to change without notice.

CAPSTAN WINCH

BR
T



MODEL No.	PART No.	A	B	C	D	E	F	WT. (lbs.)
DF-FC-9-2.8-58-E	197602	35-7/16"	17"	26-1/4"	10-1/2"	9"	12-5/8"	731

"You don't pay taxes—they take taxes."

—Chris Rock

PROUD DISTRIBUTOR OF 
NABRICO

brtmarine.com 800-725-3787



The specifications and details described by drawings or text in this literature are subject to change without notice.

ELECTRIC / HYDRAULIC CAPSTANS

CAPSTANS



SPECIFY THE FOLLOWING INFORMATION TO DETERMINE THE SIZE AND SPEED OF YOUR CAPSTANS:

HEAD SIZE _____
No. OF SPEEDS _____
LINE PULL _____
LINE SPEED _____
DRIVE _____

MODEL SHOWN

MODELDF-C-18-5-30-H
HEAD SIZE18 INCH
No. OF SPEEDSONE
LINE PULL5,000 Lbs.
LINE SPEED30 FPM
DRIVEHYDRAULIC

- VERTICAL THRU-DECK OR ABOVE DECK MODELS.
- FABRICATED STEEL CONSTRUCTION.
- POLISHED STEEL CAPSTAN HEAD.
- HEAD SIZES AVAILABLE TO 36" DIAMETER.
- SINGLE OR VARIABLE SPEEDS AVAILABLE.
- LINE PULL UP TO 100,000 Lbs.
- STATIC OR BOLLARD PULL UP 300,000 Lbs.
- THREE COAT ZINC AND EPOXY PAINT SYSTEM.
- PLANETARY OR WORM AND SPUR GEARING.
- AVAILABLE WITH AN ELECTRIC OR HYDRAULIC DRIVE.

“He who plans for this life only is wise for the moment and a fool forever.”

—Anonymous



brtmarine.com 800-725-3787

PROUD DISTRIBUTOR OF 
NABRICO

The specifications and details described by drawings or text in this literature are subject to change without notice.