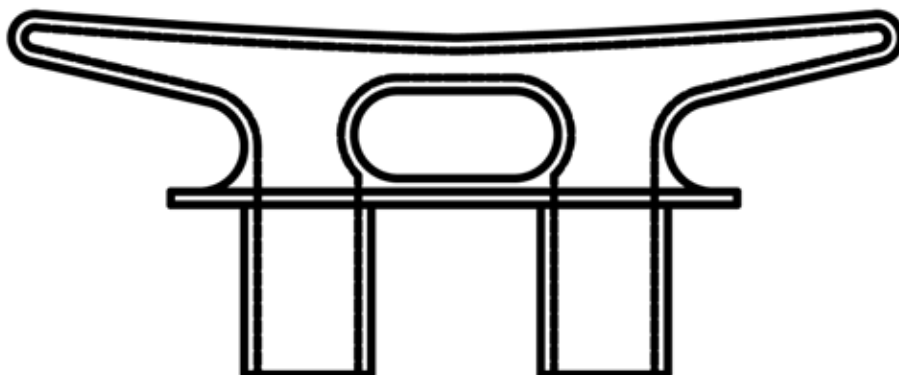
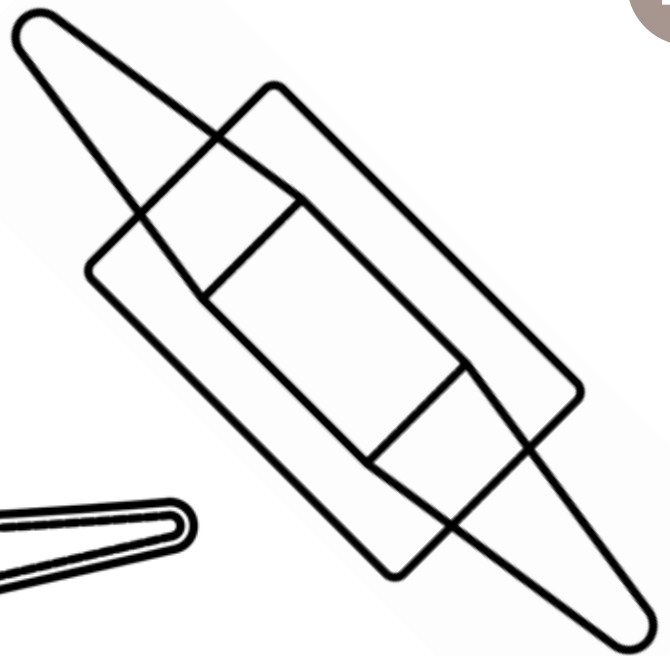


KEVELS

NABRICO offers a wide range of cast steel level chocks needed for proper and efficient marine duties. All castings are produced using A27 cast steel and are normally supplied raw from the foundry. While castings are usually preferred in this state, NABRICO has the capability to blast and paint with a zinc primer or provide most castings in Stainless Steel. Kevels are available in a variety of styles and sizes that include: steel level chocks in 24", 36", 42" and 48", cast steel in 18", 36", 42" and 48", cast steel heavy in 30" and 48", cast steel raised in 48" and cast steel thru deck in 42" and 48". Whatever the job, NABRICO has a kevel that meets your needs.

KEVELS

CAST STEEL.....	150
CAST STEEL HEAVY.....	151
CAST STEEL KEVEL CHOCK.....	152
CAST STEEL THRU DECK.....	153
CAST STEEL RAISED.....	154
CAST STEEL RSD THRU DECK.....	155



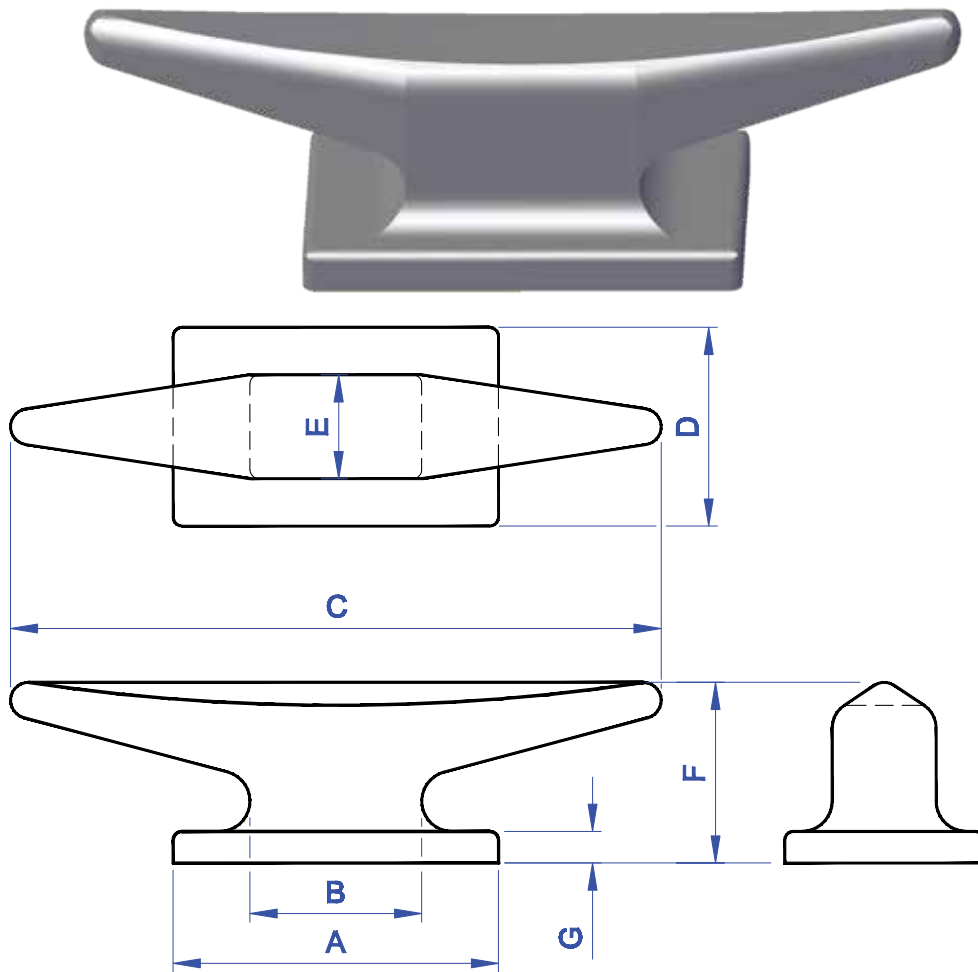
PROUD DISTRIBUTOR OF 
NABRICO

brtmarine.com 800-725-3787



The specifications and details described by drawings or text in this literature are subject to change without notice.

CAST STEEL KEVEL



MODEL No.	PART No.	SIZE	A	B	C	D	E	F	G	WT. (lbs.)
DF-518	87920	18"	9"	4-3/4"	18"	5-1/2"	2-7/8"	5"	7/8"	34

“In practice, socialism didn’t work. But socialism could never have worked because it is based on false premises about human psychology and society, and gross ignorance of human economy. In the vast library of socialist theory (and in all of Marx’s compendious works), there is hardly a chapter devoted to the creation of wealth to what will cause human beings to work and to innovate, or to what will make their efforts efficient. Socialism is a plan of morally sanctioned theft. It is about dividing up what others have created. Consequently, socialist economies don’t work; they create poverty instead of wealth. This is unarguable historical fact now...”

—David Horowitz

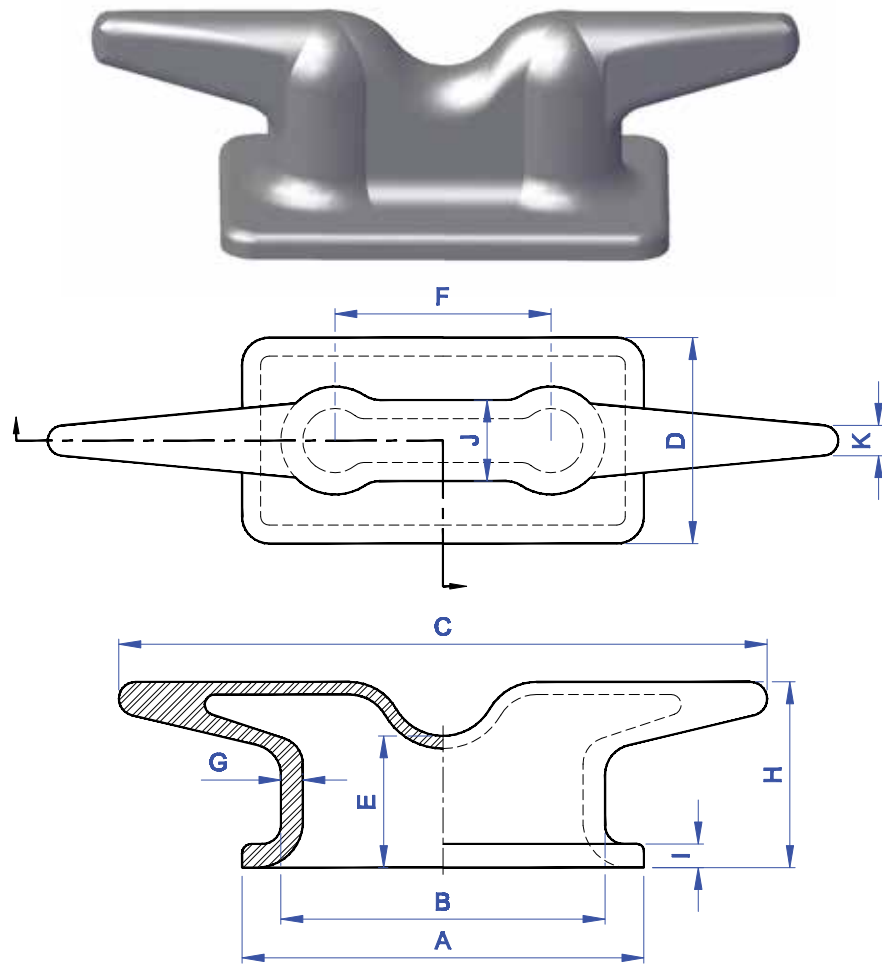


brtmarine.com 800-725-3787

PROUD DISTRIBUTOR OF
NABRICO

The specifications and details described by drawings or text in this literature are subject to change without notice.

CAST STEEL HEAVY KEVEL



MODEL No.	PART No.	SIZE	A	B	C	D	E	F	G	H	I	J	ØK	WT. (lbs.)
DF-488	89338	30"	19"	15"	30"	11-1/4"	6-3/8"	10"	1-1/4"	8-7/8"	1-3/8"	3-3/4"	1-3/4"	180
DFSK-HC48	89340	48"	29-3/4"	24"	48"	15-1/4"	9-3/4"	16"	1-5/8"	13-3/4"	1-3/4"	6"	2-1/4"	440

“This isn’t new. Those who favor socialism always make the moral case for it. The truth is, maybe they actually believe in it, but in the real world, socialism harms, it weakens the economies of countries that have tried it. It just does. Weaker economies hurt everybody in them. Socialism kills incentive, opportunity, freedom. It is the opposite of what America is all about. Look, socialism always harms the people it claims to help the most. It handicaps them, leaving them weaker, less self-determined, less free.”

—Bobby Jindal

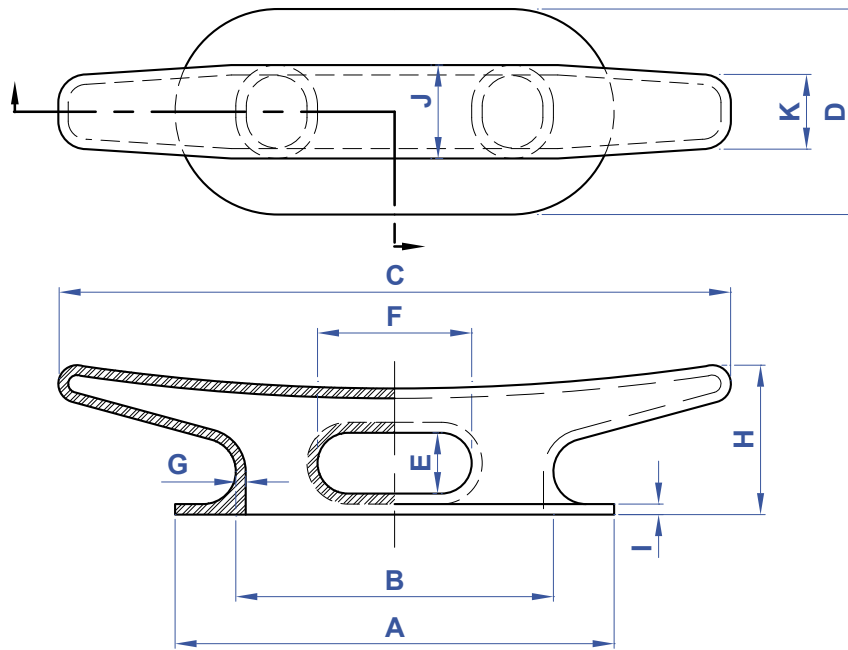
PROUD DISTRIBUTOR OF 
NABRICO

brtmarine.com 800-725-3787



The specifications and details described by drawings or text in this literature are subject to change without notice.

CAST STEEL KEVEL CHOCK



MODEL No.	PART No.	SIZE	A	B	C	D	E	F	G	H	I	J	K	WT. (lbs.)
DF-30	18562	24"	10-1/2"	9"	24"	7-1/2"	2-1/4"	3-1/4"	1/2"	5-5/8"	1/2"	4"	3"	50
DF-482	20265	36"	23-1/2"	17"	36"	11"	3-1/4"	8-1/4"	9/16"	8"	9/16"	5"	4"	104
DF-483	20273	42"	26-3/4"	20"	42"	12-1/2"	4-1/8"	9-5/8"	5/8"	9"	5/8"	6"	4-3/4"	160
DF-484	20257	48"	30"	23"	48"	14"	5"	11"	3/4"	10"	3/4"	7"	5-1/2"	220

“Some taxpayers close their eyes, some stop their ears, some shut their mouths, but all pay through the nose.”

—Evan Esar



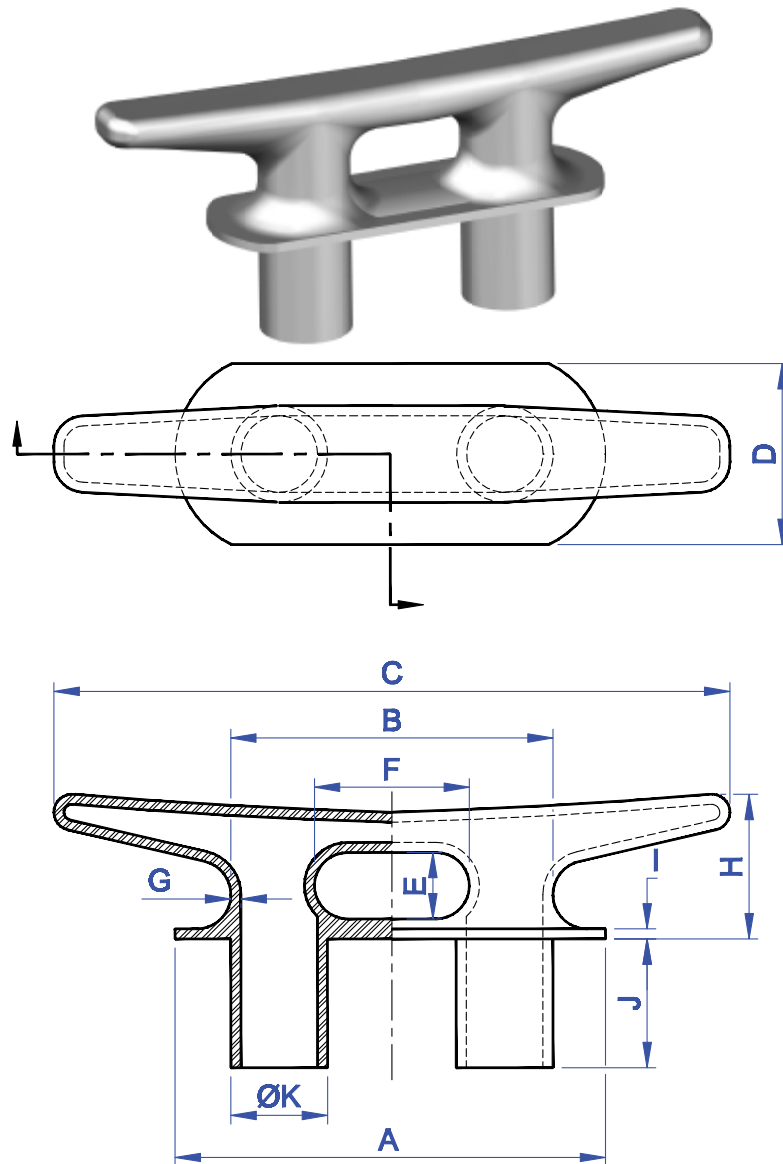
brtmarine.com 800-725-3787

PROUD DISTRIBUTOR OF
NABRICO

The specifications and details described by drawings or text in this literature are subject to change without notice.

CAST STEEL THRU DECK KEVEL CHOCK

BR
KEVELS



MODEL No.	PART No.	SIZE	A	B	C	D	E	F	G	H	I	J	ØK	WT. (lbs.)
DF-535	21849	42"	26-3/4"	20"	42"	12-1/2"	4-1/8"	9-5/8"	5/8"	9"	5/8"	8"	6"	200

"A claim for equality of material position can be met only by a government with totalitarian powers."

—F.A. Hayek

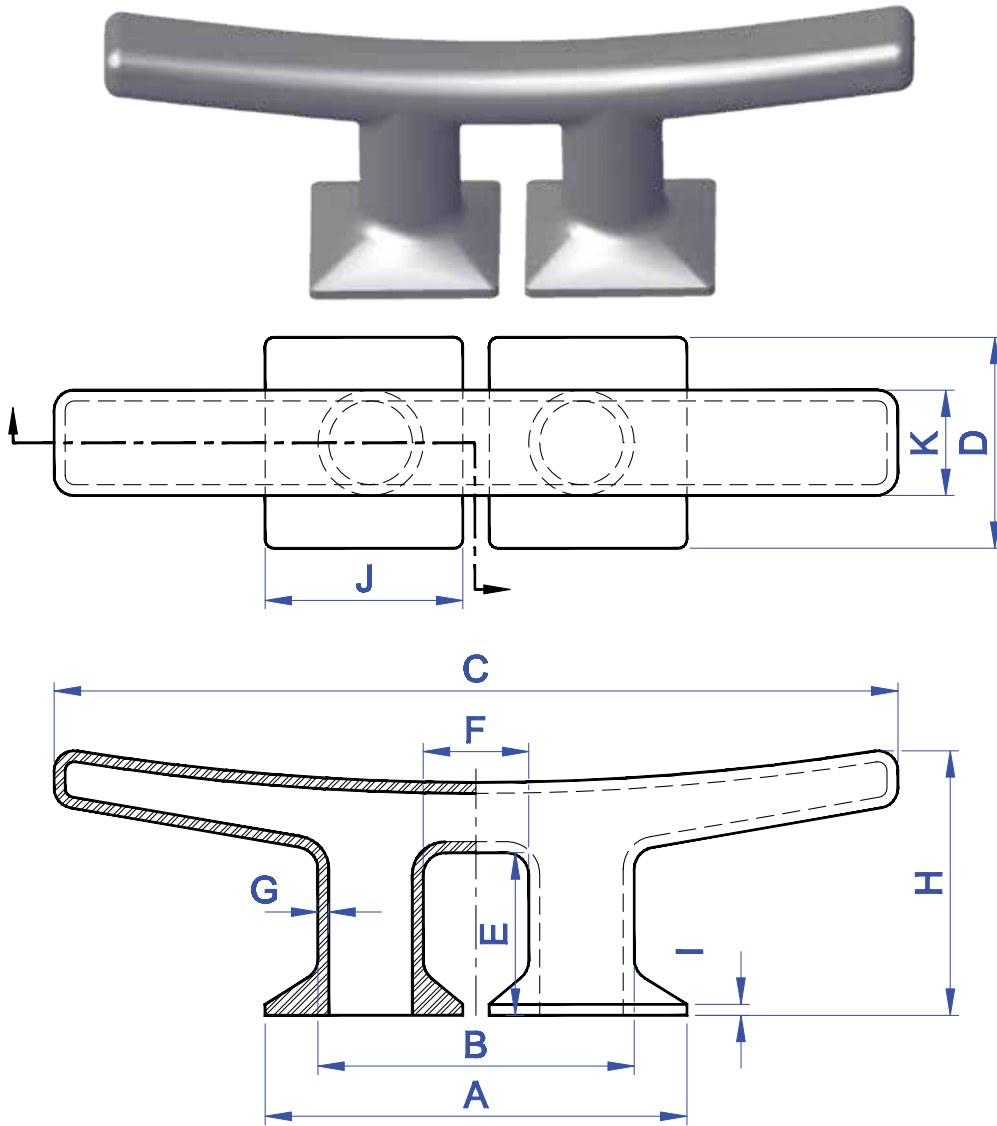
PROUD DISTRIBUTOR OF 
NABRICO

brtmarine.com 800-725-3787



The specifications and details described by drawings or text in this literature are subject to change without notice.

CAST STEEL RAISED KEVEL



MODEL No.	PART No.	SIZE	A	B	C	D	E	F	G	H	I	J	K	WT. (lbs.)
DF-544	90026	48"	24"	18"	48"	12"	9-1/4"	6"	5/8"	15-1/4"	5/8"	11-1/4"	6"	200

“The legal right of a taxpayer to decrease the amount of what otherwise would be his taxes, or altogether to avoid them, by means which the law permits, cannot be doubted.”

—George Sutherland



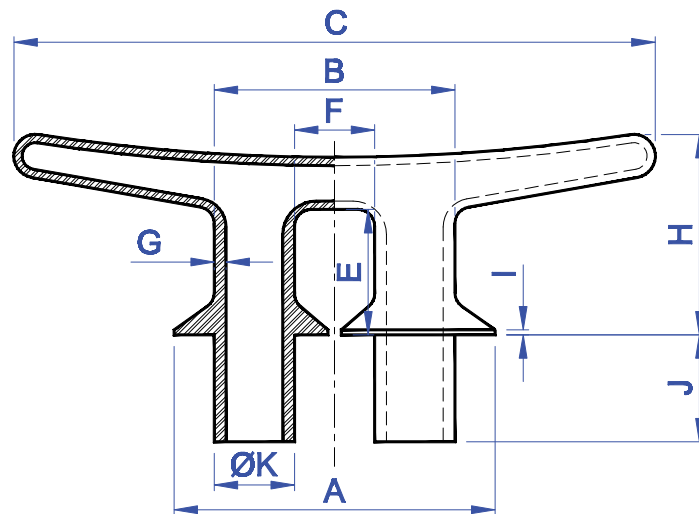
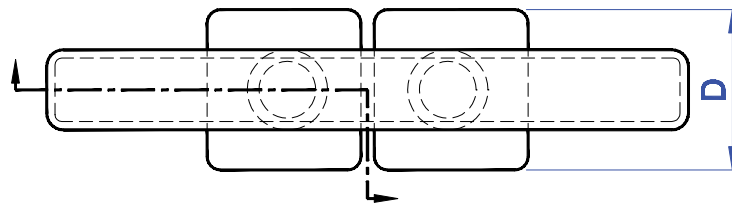
brtmarine.com 800-725-3787

PROUD DISTRIBUTOR OF
NABRICO

The specifications and details described by drawings or text in this literature are subject to change without notice.

CAST STEEL THRU DECK RAISED KEVEL

KEVELS



MODEL No.	PART No.	SIZE	A	B	C	D	E	F	G	H	I	J	ØK	WT. (lbs.)
DFSK- 48TDKC	90027	48"	24"	18"	48"	12"	9"	6"	7/8"	15"	3/8"	8"	6"	300

“We have no government armed with power capable of contending with human passions unbridled by morality and religion... Our Constitution was made only for a moral and religious people. It is wholly inadequate to the government of any other.”

—John Adams

PROUD DISTRIBUTOR OF 
NABRICO

brtmarine.com 800-725-3787



The specifications and details described by drawings or text in this literature are subject to change without notice.

BR

NOTES

LEVELS

“Taxation with representation ain’t so hot either.”

—Gerald Barzan



brtmarine.com 800-725-3787

PROUD DISTRIBUTOR OF 
NABRICO

The specifications and details described by drawings or text in this literature are subject to change without notice.